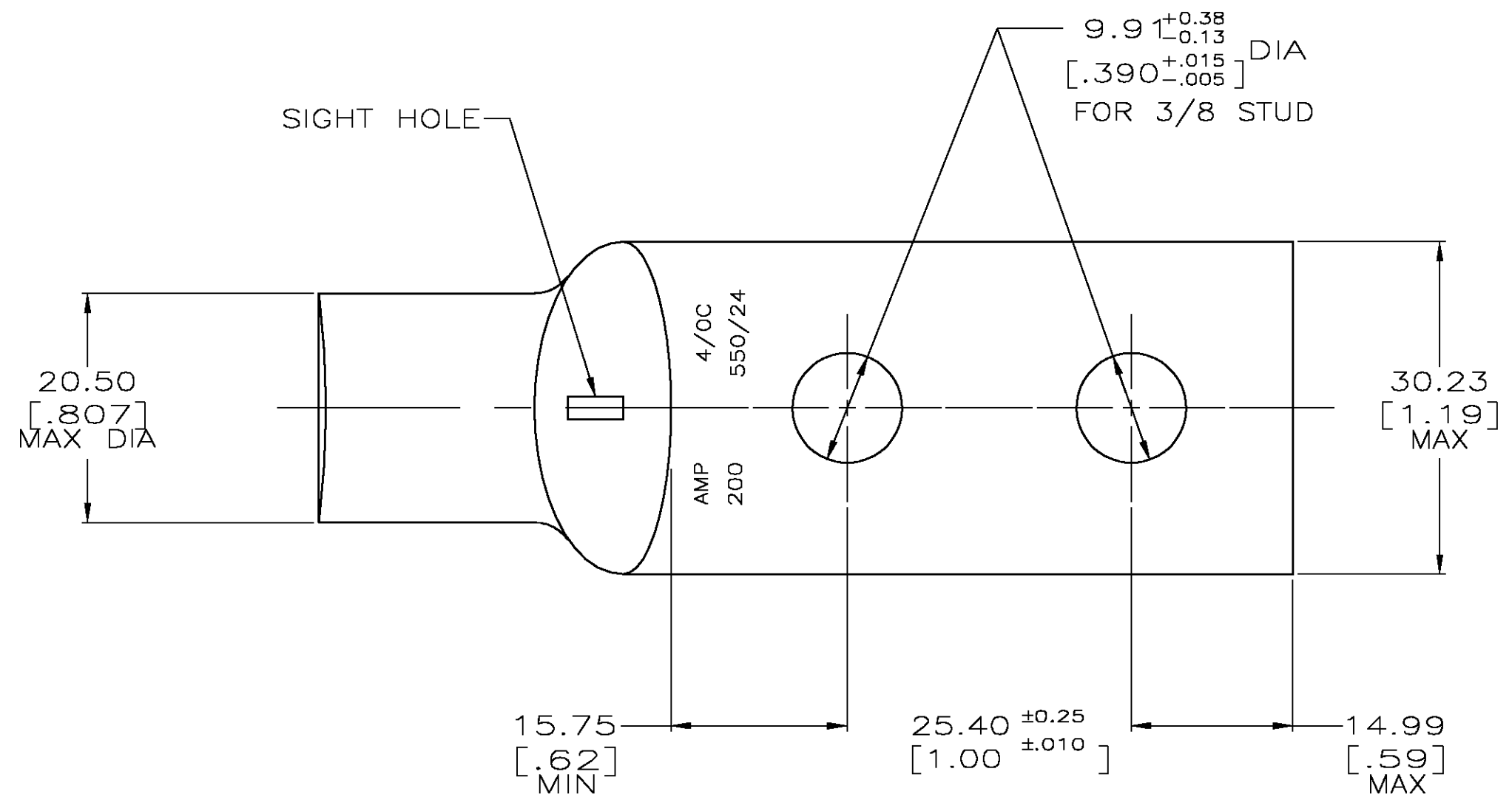
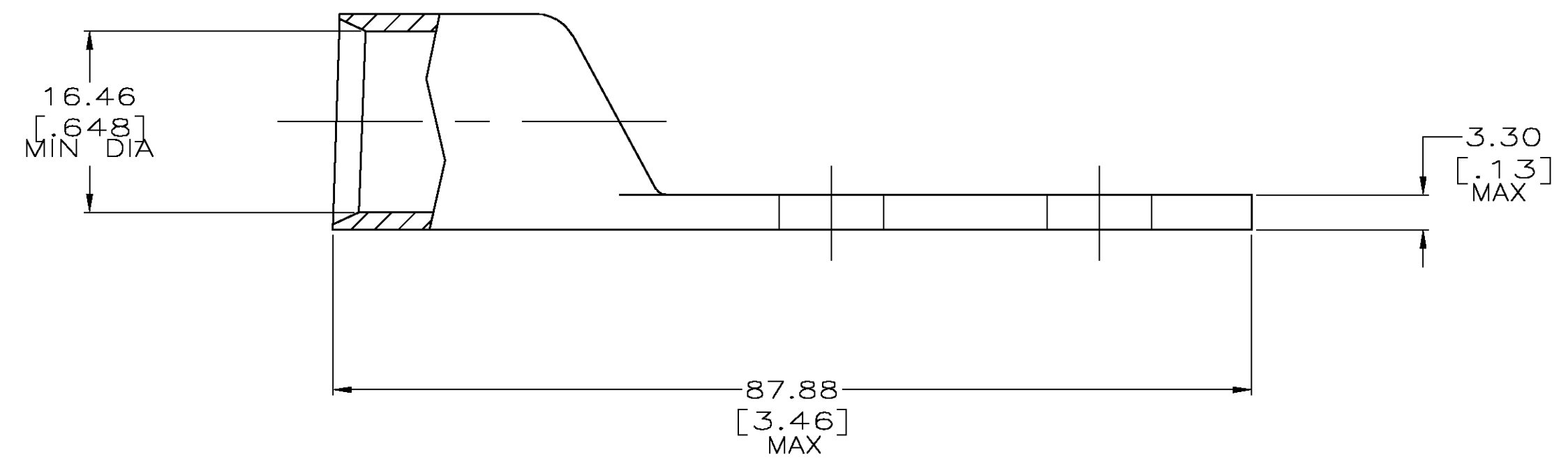


THIS DRAWING IS UNPUBLISHED. RELEASED FOR PUBLICATION  
 © COPYRIGHT BY TYCO ELECTRONICS CORPORATION. ALL RIGHTS RESERVED.

LOC	DIST	REVISIONS					
		P	LTR	DESCRIPTION	DATE	DWN	APVD
G	86	Y		REV PER 0G3A-0723-03	12NOV03	jr	MS



- 1 CIRCULAR MIL RANGE: 190,000-231,000 CM
- 2 TIN PLATE 0.00381 [0.000150] MIN THK PER ASTM B545
- 3 CLEANED, UNPLATED
- 4 COPPER PER ASTM B-75, ANNEALED



3	326803-5
2	326803
FINISH	PART NO

THIS DRAWING IS A CONTROLLED DOCUMENT.		DWN	DK SCHRUM	02/28/90	Tyco Electronics Corporation Harrisburg, PA 17105		
DIMENSIONS: INCHES		CHK	AJ KAUFMAN	6/10/92	NAME		
TOLERANCES UNLESS OTHERWISE SPECIFIED:		APVD	J MECKLEY	6/10/92	PRODUCT SPEC		
0 PLC ± -		APPLICATION SPEC		TERMINAL, AMPPOWER, WIRE SIZE: 4/0 AWG			
1 PLC ± -		-		SIZE			
2 PLC ± -		-		CAGE CODE			
3 PLC ± -		-		DRAWING NO			
4 PLC ± -		-		RESTRICTED TO			
ANGLES ± -		-		A2 00779 C=326803			
FINISH		SEE TABLE		WEIGHT .142 LBS		SCALE 2:1	
-		4		CUSTOMER DRAWING		SHEET 1 OF 1	
						REV Y	